

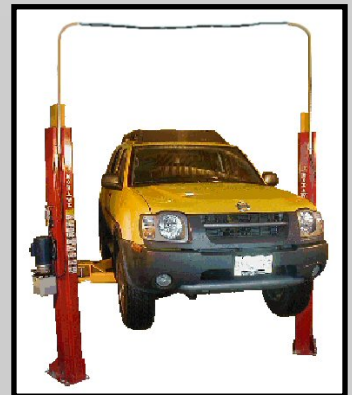
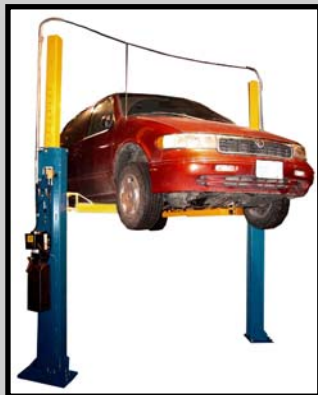
PKS

EQUIPMENT & ENGINEERING INC.

Two Post Lifts



10,000lb and 12,000lb Capacities





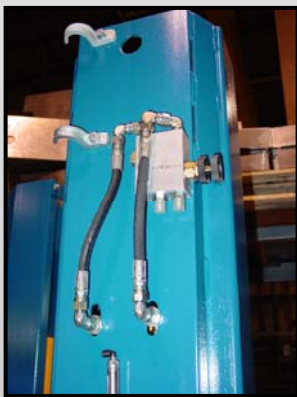
AIR OPERATED LATCHING SYSTEM



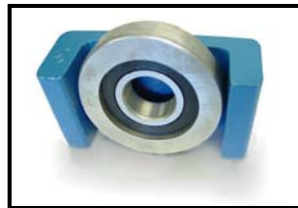
SPRING LOADED ARM RESTRAINT LOCKS



3 STAGE TELESCOPIC LIFTING ARMS WITH UP TO 12" STACKABLE HEIGHT ADAPTERS



HYDRAULIC SIDE TO SIDE EQUALIZATION

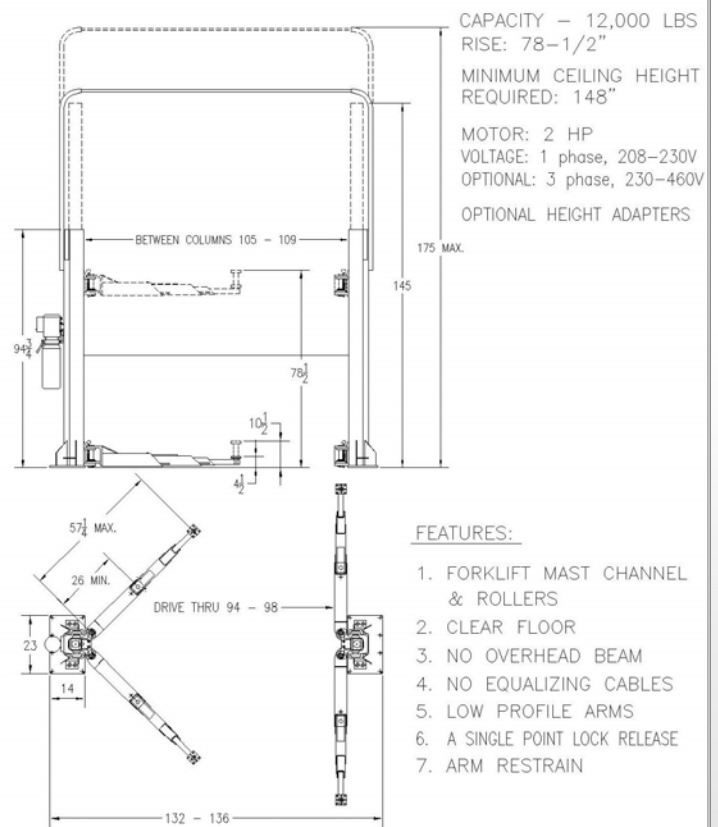


OPTIONAL 4" STEEL ROLLER BEARINGS IN 7/8" THICK FORK LIFT MAST CHANNEL

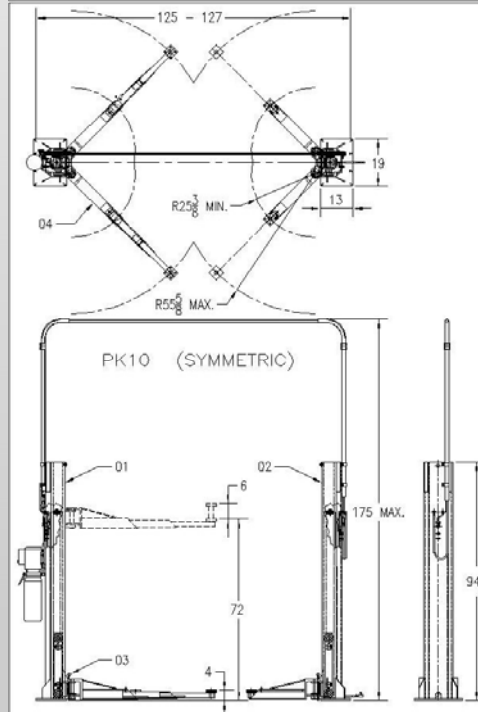


OPTIONAL U SHAPED PICK-UP PADS

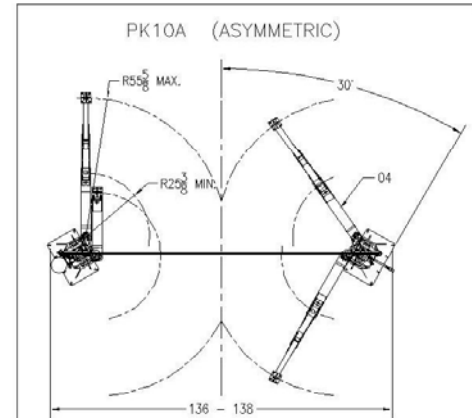
TWO-POST LIFT MODEL: PK12



P K S AUG.25/2004 DWG PK12SPEC A



ITEM	QTY	PART NO.	DESCRIPTION	MODEL
01	1	PK100010	MASTER COLUMN ASSY	PK10 & PK10A
02	1	PK100011	SLAVE COLUMN ASSY	PK10 & PK10A
03	2	PK100410	ARM RESTRAIN ASSY	PK10 & PK10A
04	4	PK105625	3P ARM ASSY	PK10 & PK10A
05	4	MP19SFA183	3" HEIGHT ADAPTER (OPTIONAL)	PK10 & PK10A
06	4	MP19SFA186	6" HEIGHT ADAPTER (OPTIONAL)	PK10 & PK10A
07	12	MSC099	SHIM "RED"	PK10 & PK10A
08	12	MSC100	SHIM "BLUE"	PK10 & PK10A
09	12	HAB075.550	ANCHOR BOLT 3/4 x 5-1/2	PK10 & PK10A



TITLE	PK10 & PK10A 2-POST LIFTS ASSY	
P K S	APR.16/2004	DWG PK101001 B

Distributed by:

PKS Equipment & Engineering Inc.
1240 Osprey Drive.
Ancaster Ontario, Canada. - L9G 4V5
TEL: (888)-465-0755
FAX: (905)-648-7186
WEB: www.pkslifts.com